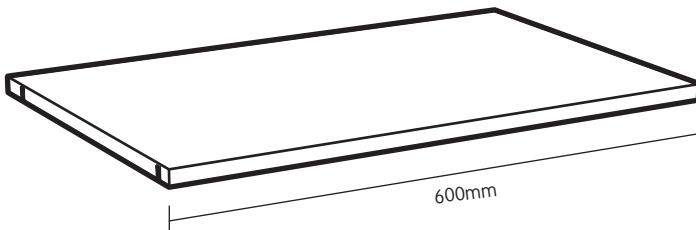
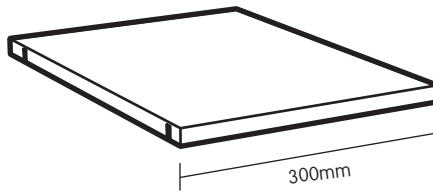


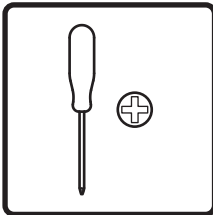
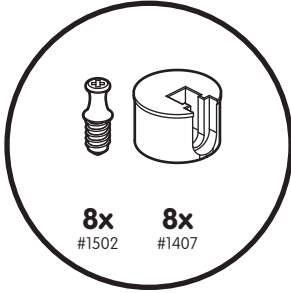
BA5-M/W

BA6-M/W

Base Accessories

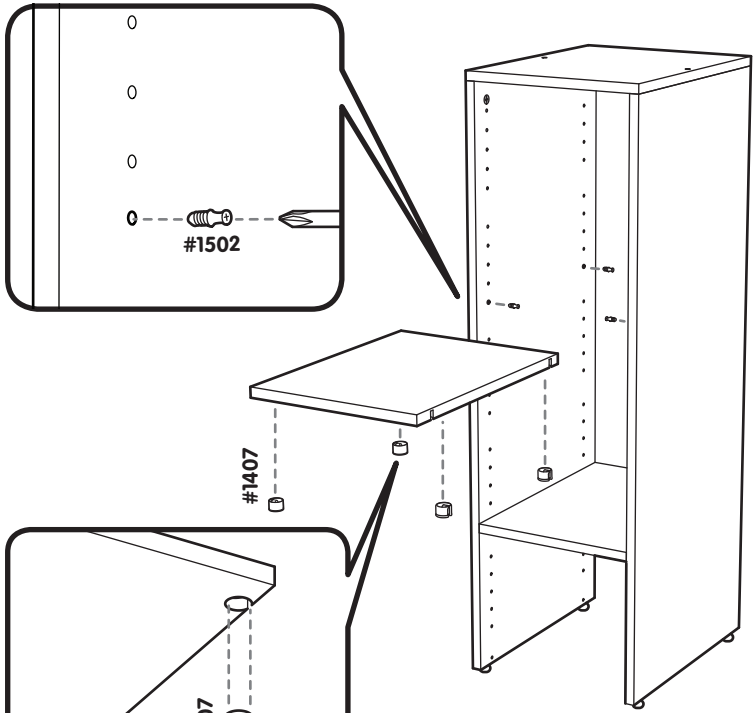
Shelves



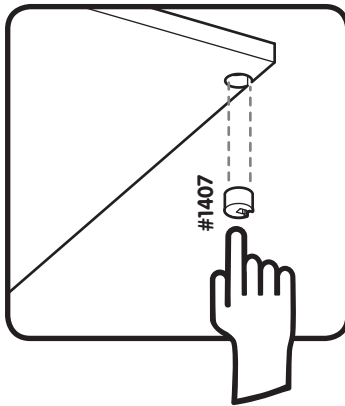


 **WARNING: CHOKING HAZARD** - Small Parts. Not for Children Under 3yrs

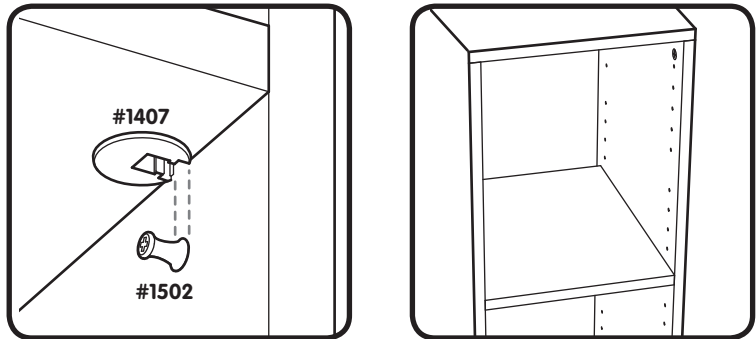
1.



2.



3.

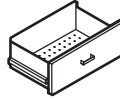


+ Base Accessories



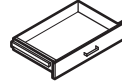
BA1-M/W

WOODEN DRAWER
W: 300mm



BA2-M/W

WOODEN DRAWER
W: 600mm LRG



BA3-M/W

WOODEN DRAWER
W: 600mm SLIM



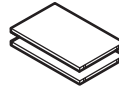
BA4-M/W

WOODEN DOOR
W: 300mm



BA5-M/W

WOODEN SHELVES
W: 300mm



BA6-M/W

WOODEN SHELVES
W:600mm



BA7

WIRE BASKET
W:300mm



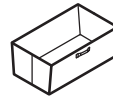
BA8

WIRE BASKET
W:600mm



BA9-B/G

FABRIC BASKET
W:300mm



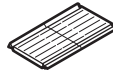
BA10-B/G

FABRIC BASKET
W:600mm



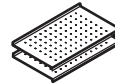
BA11

ADJ HANGING ROD
ADJ:625-1000mm



BA12

ADJ HANGING SHELF
ADJ:605-1000mm



BA13

SHOE SHELVES
W:600mm