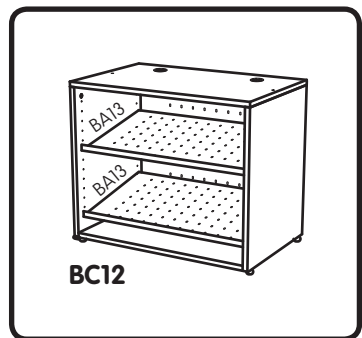
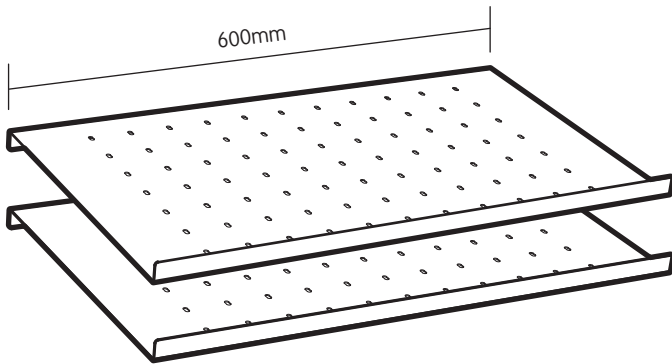
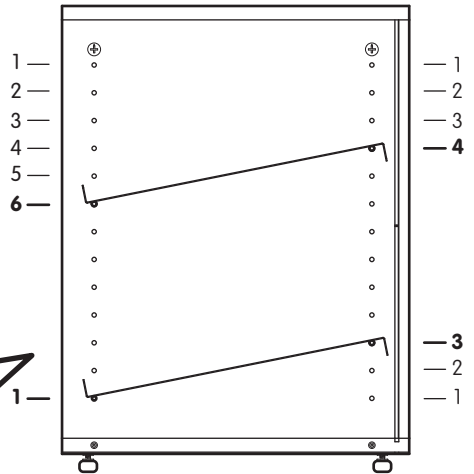
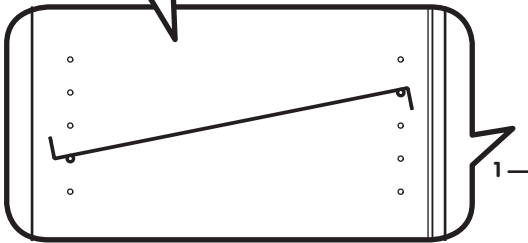
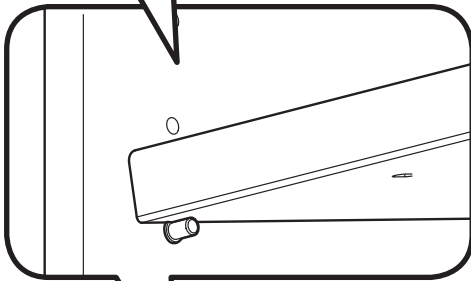
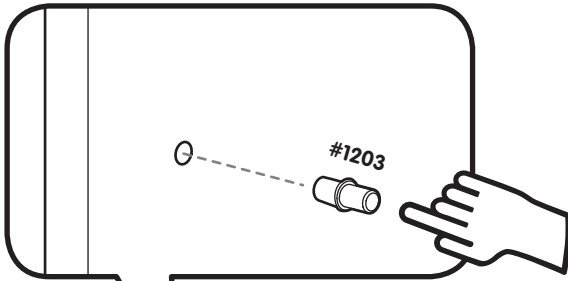
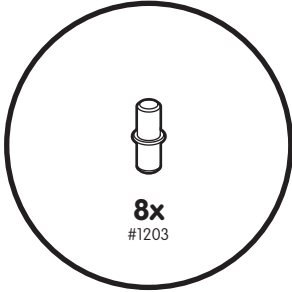


BA13

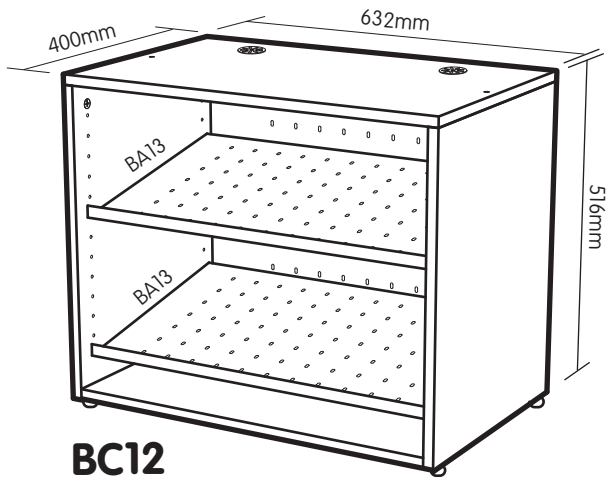
Base Accessories

Shoe Shelves





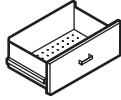
⚠ WARNING: CHOKING HAZARD - Small Parts. Not for Children Under 3yrs



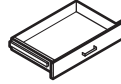
+ Base Accessories



BA1-M/W
WOODEN DRAWER
W: 300mm



BA2-M/W
WOODEN DRAWER
W: 600mm LRG



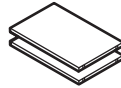
BA3-M/W
WOODEN DRAWER
W: 600mm SLIM



BA4-M/W
WOODEN DOOR
W: 300mm



BA5-M/W
WOODEN SHELVES
W: 300mm



BA6-M/W
WOODEN SHELVES
W:600mm



BA7
WIRE BASKET
W:300mm



BA8
WIRE BASKET
W:600mm



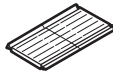
BA9-B/G
FABRIC BASKET
W:300mm



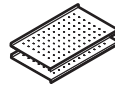
BA10-B/G
FABRIC BASKET
W:600mm



BA11
ADJ HANGING ROD
ADJ:625-1000mm



BA12
ADJ HANGING SHELF
ADJ:605-1000mm



BA13
SHOE SHELVES
W:600mm